

HI76409

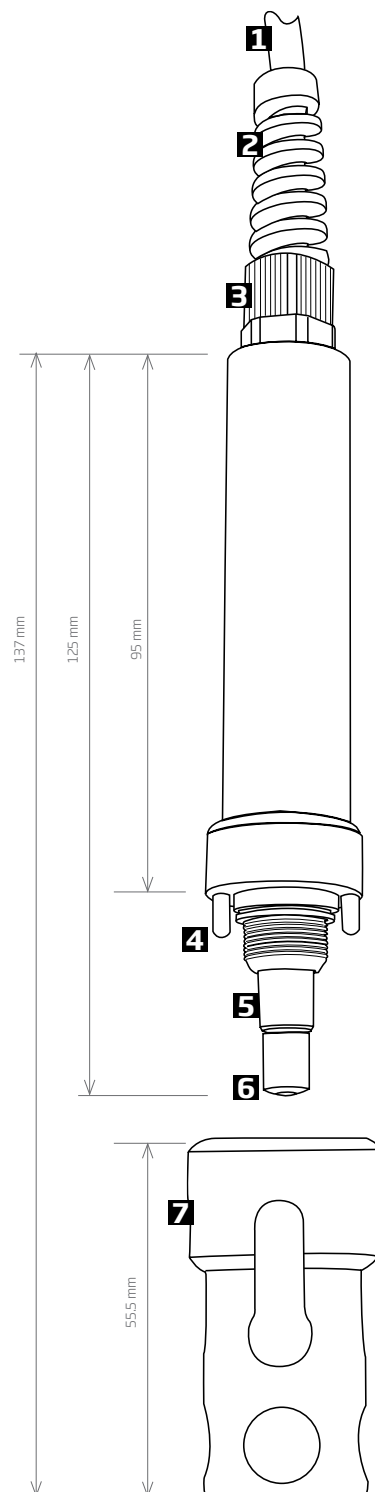
Galvanic DO Probe

with Protective Cap

Unlike polarographic probes, galvanic DO probes require no conditioning time. When you need to measure multiple samples in a given period of time, simply turn on the meter and measure on demand.

- 1** Shielded, waterproof cable
- 2** Flex protect
- 3** Strain relief for cable
- 4** Temperature sensors
- 5** Zinc (Zn) anode
- 6** Ag⁺ cathode (3.5 mm), pure silver
- 7** Protective cap

Probe	Cable Length	Recommended Meter
HI76409/4	4 m (13')	HI9147 (meter specific, fixed probe)
HI76409/10	10 m (33')	



HI76409A/P

Easy,
Screw Cap
DO Membranes

When the HDPE (High Density Polyethylene) membrane of the protective cap wears, it is always good to have a back-up.

HI76409A/P Contains 5 ready-to-use, replacement membranes

HI7040 • HI7042

DO
Solutions

It is crucial to the performance of your DO probe to keep the sensor active with regular maintenance.

HI7040L Zero oxygen solution set, 500 mL + 12g

HI7042S Refilling electrolyte solution (30 mL)