

HI76407

## Standard DO Probe

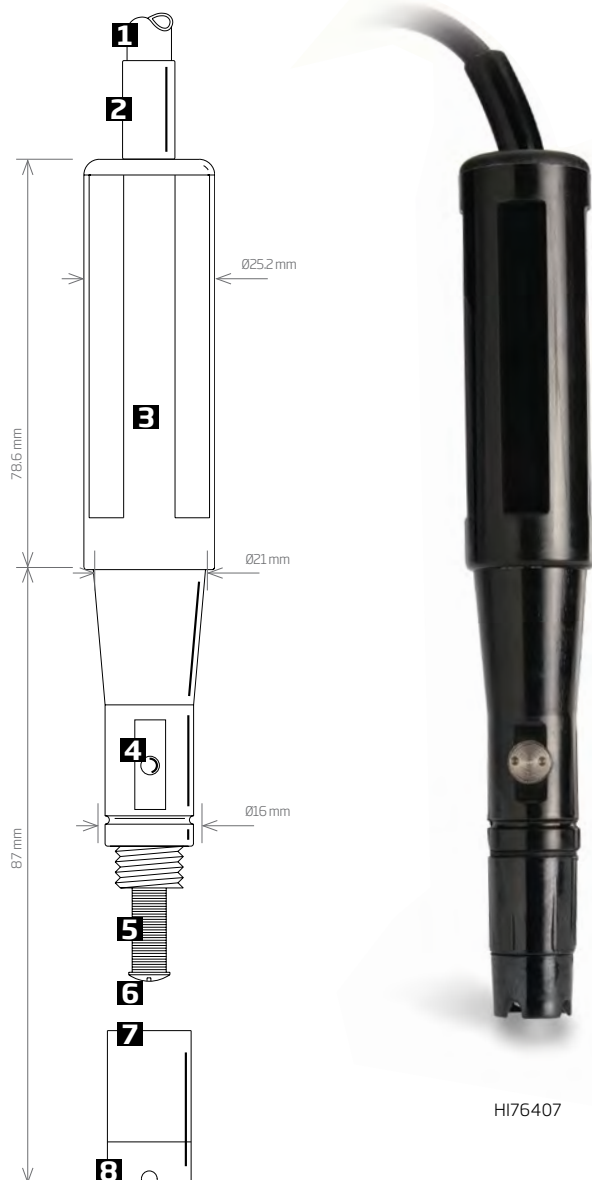
The HI76407 dissolved oxygen probe is extremely rugged, making it perfect for both laboratory and field applications. Calibration is fast, simple and all DO readings are temperature compensated.

The pre-tensioned, ready-made PTFE membrane can be changed in a few seconds without the need to stretch and cut replacements.

The HI76407 is offered with several cable lengths to meet your specific needs.

### HI76407

- 1** Shielded, waterproof cable
- 2** Protective sleeve
- 3** PEI probe for best field protection
- 4** Linearized and accurate thermistor temperature sensor protected behind a stainless steel cover
- 5** Silver wire anode element
- 6** Glass encapsulated platinum cathode
- 7** Screw cap membrane that holds potassium chloride electrolyte solution (HI7041S)
- 8** Thin, permeable PTFE membrane isolates the sensor elements from the testing solution, but allows oxygen to enter (HI76407A/P)



HI76407

HI76407A/P

## Easy, Screw Cap DO Membranes

When the PTFE (polytetrafluoroethylene) membrane of the protective cap wears, it is always good to have a back-up.

**HI76407A/P** contains 5 ready-to-use, replacement membranes



HI7041

## Electrolyte Solution

It is crucial to the performance of your DO probe to keep the sensor active with regular maintenance. For this purpose, Hanna has developed HI7041 electrolyte solution to refill the membrane cap.



<b>HI7041S</b>	refilling electrolyte solution (30 mL)
<b>HI7041</b>	refilling electrolyte solution (6 x 30 mL)
<b>HI7041M</b>	refilling electrolyte solution (230 mL)
<b>HI7041L</b>	refilling electrolyte solution (500 mL)

Probe	Cable Length	Recommended Meter
<b>HI76407/2</b>	2 m (6.6')	HI2400 HI9142
<b>HI76407/4</b>	4 m (13')	
<b>HI76407/10</b>	10 m (33')	

ติดต่อบริษัท นีโอนิคส์ จำกัด

Tel: 02-077-7602 หรือ 061-8268939

E-mail: sale@neonics.co.th หรือ sale@tools.in.th

HI76407 Protected Sleeve Series

## DO Probe

with Protective Sleeve

Perfect for laboratory and field applications, The Hanna HI76407F Series DO probes are extremely rugged with a screw-on protective sleeve. Calibration is fast and simple, and measurements are temperature compensated. The sensitive PTFE membrane can be changed in a few seconds.

- 1** Shielded, waterproof cable
- 2** Protective sleeve
- 3** PEI probe for best field protection
- 4** Linearized and accurate thermistor temperature sensor protected behind a stainless steel cover
- 5** Silver wire anode element
- 6** Glass encapsulated platinum cathode
- 7** Screw cap membrane that holds potassium chloride electrolyte solution (HI7041S)
- 8** Thin, permeable PTFE membrane isolates the sensor elements from the testing solution, but allows oxygen to enter (HI76407A/P)
- 9** Hole for solution cycling
- 10** Protective sleeve for field applications

Probe	Cable Length	Recommended Meter
HI76407/4F	4 m (13')	HI9146
HI76407/10F	10 m (33')	HI9142
HI764073	4 m (13')	HI98193

HI76407A/P

## Easy, Screw Cap DO Membranes

When the PTFE (polytetrafluoroethylene) membrane of the protective cap wears, it is always good to have a back-up.

**HI76407A/P** contains 5 ready-to-use, replacement membranes.



HI7040 • HI7041

## DO Solutions

It is crucial to the performance of your DO probe to keep the sensor active with regular maintenance.

<b>HI7040L</b>	zero oxygen solution set, 500 mL + 12g
<b>HI7041S</b>	refilling electrolyte solution (30 mL)
<b>HI7041</b>	refilling electrolyte solution (6 x 30 mL)
<b>HI7041M</b>	refilling electrolyte solution (230 mL)
<b>HI7041L</b>	refilling electrolyte solution (500 mL)

